

# APX-3200

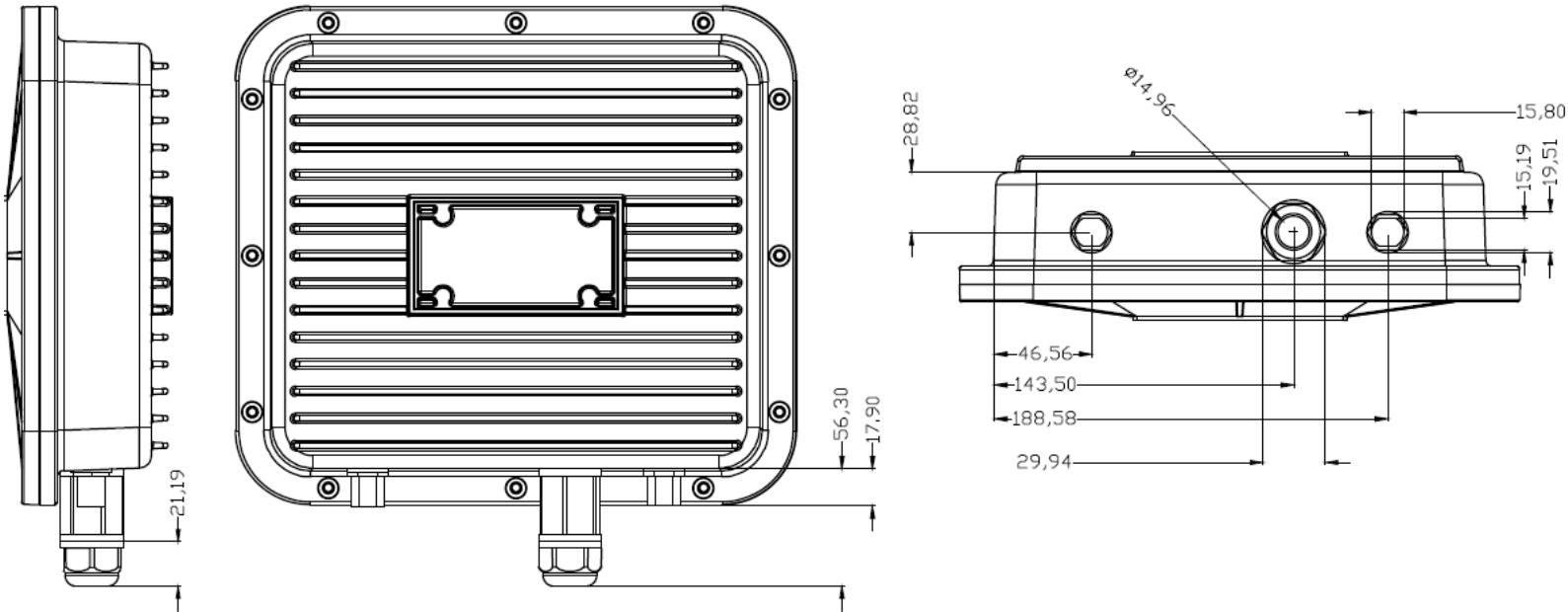
Outdoor IP67 IEEE 802.11/b/g/n Wireless AP/Client/Bridge/Repeater



## Features

- ▶ All-in-One Wireless AP/Client/Bridge
- ▶ IP67 Outdoor Waterproof Housing Design
- ▶ IEEE 802.11b/g/n Compliant
- ▶ Industrial MIMO Wireless Solution (2t2r)
- ▶ Maximum Data Rate: 300Mbps
- ▶ Supports IEEE 802.11i / 802.1x Authentication
- ▶ Supports IEEE 802.1q VLAN Tagging
- ▶ Secured Management by HTTPS and SSH
- ▶ Supports Spanning Tree Protocol (STP)
- ▶ Supports Watchdog and Auto Reboot
- ▶ PD (Power Device) IEEE 802.3af Compliant
- ▶ Temperature Range: -20 to 70 °C
- ▶ Pole Mounting Bracket is Included
- ▶ 5 Year Warranty

## ▶ Dimensions



► Radio Specification

TX SPECIFICATIONS									
	DataRate	TX Power (per chain)	TX Power (2 chains)	Tolerance		DataRate	TX Power (per chain)	TX Power (2 chains)	Tolerance
802.11b	11Mbps	26dBm	29dBm	±2dB	802.11g	6-24Mbps	26dBm	29dBm	±2dB
	5.5Mbps	26dBm	29dBm	±2dB		36Mbps	26dBm	29dBm	±2dB
	2Mbps	26dBm	29dBm	±2dB		48Mbps	22dBm	25dBm	±2dB
	1Mbps	26dBm	29dBm	±2dB		54Mbps	21dBm	24dBm	±2dB
	DataRate	TX Power (per chain)	TX Power (2 chains)	Tolerance		DataRate	TX Power (per chain)	TX Power (2 chains)	Tolerance
2.4GHz 11n HT20	MCS 0/8	23dBm	26dBm	±2dB	2.4GHz 11n HT40	MCS 0/8	22dBm	25dBm	±2dB
	MCS 1/9	23dBm	26dBm	±2dB		MCS 1/9	22dBm	25dBm	±2dB
	MCS 2/10	23dBm	26dBm	±2dB		MCS 2/10	22dBm	25dBm	±2dB
	MCS 3/11	23dBm	26dBm	±2dB		MCS 3/11	22dBm	25dBm	±2dB
	MCS 4/12	23dBm	26dBm	±2dB		MCS 4/12	22dBm	25dBm	±2dB
	MCS 5/13	22dBm	25dBm	±2dB		MCS 5/13	22dBm	25dBm	±2dB
	MCS 6/14	21dBm	24dBm	±2dB		MCS 6/14	21dBm	24dBm	±2dB
	MCS 7/15	20dBm	23dBm	±2dB		MCS 7/15	20dBm	23dBm	±2dB
RX SPECIFICATIONS									
	DataRate	Sensitivity (2 chains)	Tolerance		DataRate	Sensitivity (2 chains)	Tolerance		
802.11g	6 Mbps	-94dBm	±2dB	802.11b	1 Mbps	-94dBm	±2dB		
	9 Mbps	-94dBm	±2dB		5.5Mbps	-94dBm	±2dB		
	12 Mbps	-94dBm	±2dB		11 Mbps	-92dBm	±2dB		
	18 Mbps	-92dBm	±2dB						
	24Mbps	-88dBm	±2dB						
	38Mbps	-82dBm	±2dB						
	48Mbps	-76dBm	±2dB						
	54Mbps	-74dBm	±2dB						
2.4GHz 11n HT20	MCS0	-92dBm	±2dB	2.4GHz 11n HT40	MCS0	-90dBm	±2dB		
	MCS1	-91dBm	±2dB		MCS1	-86dBm	±2dB		
	MCS2	-89dBm	±2dB		MCS2	-85dBm	±2dB		
	MCS3	-86dBm	±2dB		MCS3	-82dBm	±2dB		
	MCS4	-81dBm	±2dB		MCS4	-79dBm	±2dB		
	MCS5	-78dBm	±2dB		MCS5	-75dBm	±2dB		
	MCS6	-76dBm	±2dB		MCS6	-74dBm	±2dB		
	MCS7	-73dBm	±2dB		MCS7	-71dBm	±2dB		

## ► Specifications

### Interface

Ethernet Port	1 x RJ45 - 10/100BaseT(X)
Antenna	Two External Antenna (Supports MIMO; 2t2r)

### Technology

Protocol	IP, DHCP, HTTPS, SNMP v1/v2, Trap, STP
IEEE	IEEE 802.3, IEEE 802.3u, IEEE 802.3x
WLAN Operation Mode	AP / Client / Bridge / Repeater
Encryption Security	IEEE 802.11i PSK (256-bit Key Pre-shared Key Supported) 802.1x and RADIUS Supported
Wireless Security	ESSID Broadcast Disable, MAC Address Filter
Modulation Method	IEEE 802.11b (DSSS): CCK, DQPSK, DBPSK IEEE 802.11g/n (OFDM/DSSS): QAM-64, QAM-16, QPSK, BPSK
Data Transfer Rate	300 Mbps

### Frequency Range

IEEE 802.11b/g	2.412GHz ~ 2.462GHz (US & Canada) 2.412GHz ~ 2.472GHz (Europe) 2.412GHz ~ 2.484GHz (Japan)
----------------	--

### Power

Protection	Ground Terminal built into pole mounting screw
Power Input	PoE 48V
PoE Standard	IEEE 802.3af
Power Consumption	10 Watts
Radio Power	800mW

### Mechanical Characteristics

Housing	IP67 Metal Enclosure
Dimensions	267 x 241 x 83 mm (10.5 x 9.5 x 3.25 in.)
Weight	Unit Weight: 5.15 lbs. Package Weight: 7.15 lbs.
Mounting	Pole mounting (Bracket Included)

### Environmental Limits

Operating Temperature	-20° to 70° C
Storage Temperature	-30°C ~ 80°C
Ambient Relative Humidity	5 to 95%, (non-condensing)

### Regulatory Approvals

Green	RoHS Compliant
FCC	This device complies with part 15 Class B & C & E of FCC rules
Warranty	5 Years

## ► Ordering Information

**APX-3200** Outdoor IP67 IEEE 802.11b/g/n Wireless AP/Client/ Bridge

### Optional Accessories

<b>PA-48-48-US</b>	PoE Injector, Input 100-240VAC/2A, Output 48VDC/1A
<b>LNP-201AG-T</b>	Industrial IEEE 802.3af PoE injector
<b>MDR-20-48</b>	20 Watt Din-Rail Power Supply (48 VDC)
<b>ANT-OM-2409</b>	2.4-2.5 GHz Outdoor Omni Antenna 9dBi